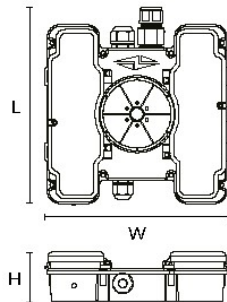


Installation Engineers Contact Details:			Luminaire Ref / Location								
Name:		Tel:									
Luminaire Details:			Full Recharge Duration 24Hours		Duration: 3hrs		Lamp Type:				
ROUTINE TEST RECORD											
Test Type	Year 1		Year 2		Year 3		Year 4		Year 5		
	Signed	Date	Signed	Date	Signed	Date	Signed	Date	Signed	Date	
Functional											
Functional											
Functional											
Functional											
Functional											
Functional											
Functional											
Functional											
Functional											
Functional											
Functional											
3hr Duration											

Dimensions:

Part No.	Description	L (mm)	W (mm)	H (mm)	Weight
430965	Grafham E-SEL3 Highbay 4W Emergency Conversion Pack Plug & Play	190	190	53	771g



End Of Life Disposal:

Disassembly instructions for end of life disposal available on website. Disposal of Electronic Equipment WEEE Directive 2002/96/EC This product falls within the scope of the Waste Electrical & Electronic Equipment Directive (WEEE), which means the product should not be disposed of as normal household waste. Please recycle where facilities exist or check with your Local Authority. RoHS - All components and materials used in this product are RoHS 2002/95/EC compliant. Specifications may change from time to time. The information contained in this leaflet is for guidance only and should not be considered as always accurate and should be treated as not representative.

Installation Instructions



Grafham Emergency Pack

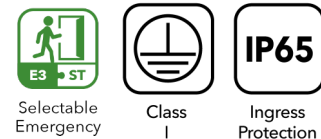


Input	220-240V AC 50/60Hz
Power	4W
Operating Temp	0-30°C
Battery	6.4V LiFePO4 3600mAh
Recharge Time	24Hrs
Function	Self-Test / Manual Test
Light Source Energy Rating	N/A



Box Contents:

- Emergency Pack
- Highbay Cable Connection Kit
- Emergency Labels



Tools Required For Installation:

- N/A



READ THESE INSTRUCTIONS THOROUGHLY BEFORE INSTALLATION

KEEP THESE INSTRUCTIONS FOR FUTURE REFERENCE.

IMPORTANT:

This product must be installed by a qualified electrician or competent person, and in accordance with current building and IET wiring regulations.

Warranty:

This product is warranted for a period of 5 Years from the date of purchase**. The backup battery pack in the emergency version is warranted for a period of 5 Years. The warranty could be invalidated should the product not be installed according to these instructions, outside the scope of the specification or the product has been altered or tampered with in any way. Please see website for terms and conditions.



WARNING: Risk of electric shock!
Isolate the mains power before proceeding.

- Turn off the mains power before performing inspections, installation, or removal
- Verify that the supply voltage is correct by comparing it with the luminaire label information
- It is the installers responsibility to ensure installation is suitable for the total load of the luminaire(s). The supply cable, fuses/circuit breakers must be correctly rated for the electrical load and considering for any transient inrush currents that may occur.
- Do not perform insulation strength or resistance tests on installed luminaire(s) connected

Wiring instructions for units equipped with EMERGENCY function:

Emergency lighting luminaires must be installed and maintained in accordance with the emergency lighting standard BS 5266-1

- For the emergency unit to work correctly, please ensure that an uninterrupted permanent live feed is present and is connected directly to the 'Permanent Live' terminal of the mains terminal block. Please ensure there are no switches, PIRs etc within the permanent live feed, constant switching of the emergency pack could result in premature battery failure.
- Following power up the green LED indicator should illuminate to indicate charging. If power to the unit is disrupted or isolated, the unit indicating green LED will switch off, triggering the emergency LEDs to illuminate.
- When self-test mode is selected, 24hrs from connection to mains power, a 3hrs duration test will be performed automatically.

Installation Procedure:

1. Secure the emergency pack to the light fitting.
2. Wire light fitting power input cable to the mains connector terminals located at the emergency pack.
3. Connect the emergency pack output connector (orange) to light fitting emergency LED connector.
4. Wire the emergency pack input flying lead to mains as shown, using suitable IP rated junction box and connector such as Wago 222
5. Lift the pack lid and select the desired test mode (Self Test / Manual Test), reconnect the battery connector to battery terminals.
6. Install the light fitting to desired location
7. Reconnect mains supply

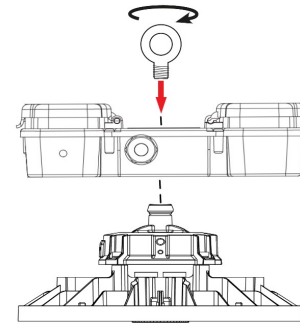
*The light will perform automatic duration test after 24hours of being powered ON.

**To reset an failure error unplug the battery, Power ON, plug the battery in, green LED should come ON.

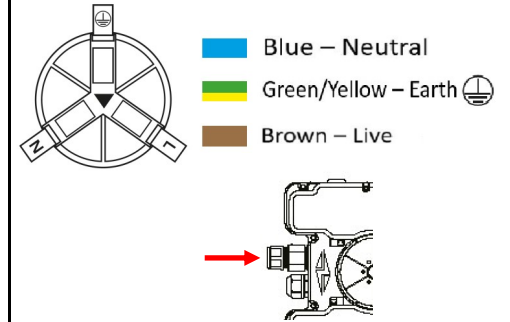
Emergency Indication:

	Colour	LED Indication	Status
	Green	Permanent Green	Normal Function
	Green	Slow Flashing Green (3 sec on, 1 sec off)	Charging Mode
	Green	Slow Flashing Green (1 sec on, 1 sec off)	Duration Test In Progress
	Green	Fast Flashing Green (0.1 sec on, 0.1 sec off)	Function Test In Progress
	Red	Permanent Red	Load Failure
	Red	Slow Flashing Red (1 sec on, 1 sec off)	Battery Failure

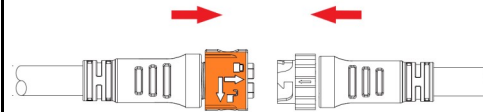
1.



2.



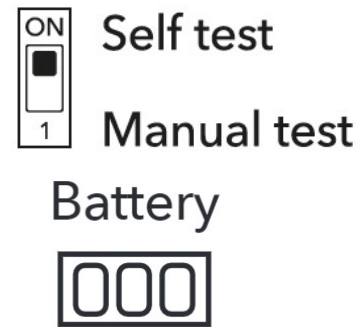
3.



4.



5.



6.



7.

